

WiFi Microscope

W5

User Manual

V1.2

Contents

CHAPTER 1 NOTICE AND SAFETY REQUIRE	1
CHAPTER 2 PACKING LIST	2
CHAPTER 3 TO KNOW W5	3
3.1 NAME AND FUNCTION OF W5 COMPONENTS	3
CHAPTER 4 HARDWARE OPERATION	4
4.1 TO KNOW BUTTONS	4
4.2 HARDWARE USAGE	5
4.2.1 Adapter for skin/hair observation	5
4.2.1.1 Assemble for skin/hair observation	6
4.2.1.2 Wired USB working mode	6
4.2.1.3 wireless WiFi working mode	6
4.2.2 Adapter for tiny object observation	6
4.2.2.1 wired USB working mode	7
4.2.2.2 wireless WiFi working mode	7
CHAPTER 5 SOFTWARE AND APP INSTALLATION AND OPERATION	8
5.1 MICRO CAM SOFTWARE FOR WINDOWS SYSTEM USERS	8
5.2 APP FOR IOS /ANDROID USERS	8
CHAPTER 6 MAIN SPECIFICATIONS	9

Chapter 1 Notice and Safety Require

1. To avoid danger or damage incurred to the lens, do not touch the lens and LED directly with your fingers.
2. To avoid failure or electric shock hazard and so on, do not disassemble or modify the internal structure of the device.
3. Do not plug in or unplug the power adapter and adapter connector when hands are wet.
4. To avoid accidental injuries, do not insert machine attached plug into the device when the digital microscope is in use or standby.
5. Do not use alcohol and other organic solvents to clean the device.
6. If the lens or viewfinder is dirty or damp, you should better use dry and non-linen fabric or professional lens tissue to wipe them.
7. The products are not specifically designed for an outdoor use. Do not expose it to outdoor environment without any protection. Excessive temperature and humidity will damage the lens.
8. Please use and store in the following environment: Temperature: 0°C ~ 40°C; relative humidity: 5% ~ 95%.
9. If any foreign matter, water or liquid enter into digital microscope by accident, disconnect the USB cable immediately. Please send it to the maintenance center and do not use the hair dryer to dry it by yourself.
10. To prevent microscope from being tripped over or dropped, please put away the device's USB cables in use or standby.
11. To avoid electric shock by accident, please power off microscope before you move your PC or TV.

Chapter 2 Packing List

❑ WiFi Microscope



❑ adapter for skin observation



❑ Micro Capture installation CD



❑ Warranty Card



❑ Power Adapter



❑ Battery



❑ USB cable



❑ Carrying Bag



Chapter 3 To Know W5

3.1 Name and function of W5 components



Chapter 4 Hardware Operation

4.1 To Know Buttons



【1】 working modes

①wifi working mode

Witch W5 to WiFi working mode.

◇operation method of WiFi working mode please refer to 《User Manual of Ucam Plus for iOS English》

◇you may charge the battery while using W5 under WiFi working mode by using power adapter or PC

②wired USB working mode

Witch W5 to USB working mode.

◇operation method of WiFi working mode please refer to 《User Manual of Micro Cam English》

◇you may charge the battery while using W5 under USB working mode by plugging to PC

③power off

you may charge the battery after power off W5 by plugging to PC or using power adpater.

【2】 LED indicators

① battery indicator

When the battery power is full, LED shows in green; power moderate, shows yellow; insufficient, red. When displayed in red, please charge as soon as possible.

② wifi indicator

When wifi indicator start flashing, means it is under WiFi working now.

Flashing in green ⇔ WiFi working mode has start

Flashing speed ⇔ wifi signal strength, the stronger the signal, the faster the flashing.

③ charging indicator

You can use W5 while charging power.

Green ⇔ full power

Red ⇔ power not full

【3】 zoom in/out, reflection mode control

scroll to left: zoom in

scroll to right: zoom out

press in the middle: switch reflection modes includes

high reflection, middle reflection, low reflection

【4】 adapter for skin observation

Install another adapter to observe skin

【5】 USB interface

The USB interface can be used for charging battery and connecting to PC as well.

【6】 brightness control

【7】 Record with Built-in microphone

You may record audio video by using the built-in microphone

【8】 Change battery

You may change battery as picture shown below



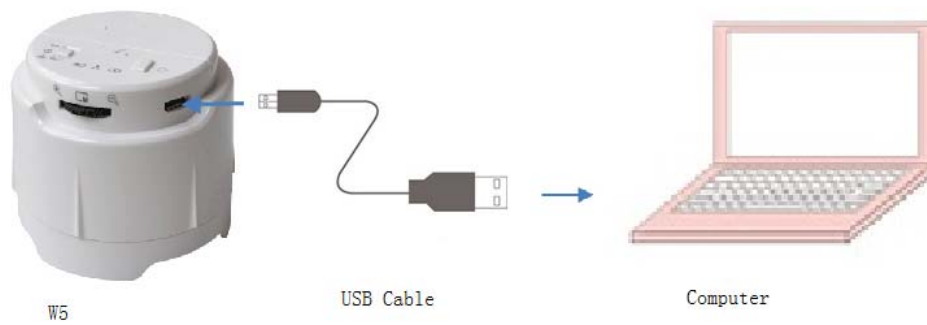
4.2 Hardware Usage

4.2.1 Adapter for skin/hair observation

4.2.1.1 Assemble for skin/hair observation



4.2.1.2 Wired USB working mode: connect W5 to PC



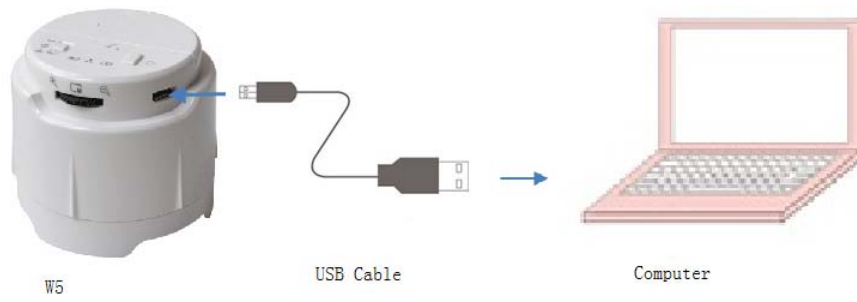
4.2.1.3 wireless WiFi working mode: connect W5 to mobile devices such as mobile phones, tablets, and PC



4.2.2 Adapter for tiny object observation



4.2.2.1 wired USB working mode: connect W5 to PC



4.2.2.2 wireless WiFi working mode: connect W5 to mobile devices such as mobile phones, tablets, and PC



Chapter 5 Software and APP Installation and Operation

5.1 Micro Cam software for Windows system users

Please refer to 《User Manual of Micro Cam English》

5.2 APP for iOS /android users

Please refer to 《User Manual of Ucam Plus for Android English》
《User Manual of Ucam Plus for iOS English》

Chapter 6 Main Specifications

Physical interface (Wired)	Micro USB
Max physical pixel	≈5,000,000 pixel/pixels
Frame	Max 30fps/up to 30fps
White balance	automatic
Exposure	automatic
Light source	White light LED
Best subject distance	17 mm
Max optical amplification rate	65×
Shooting range/	≤ Φ 58mm
Boundary dimension	55mm × Φ 62mm
Weight	≈84g