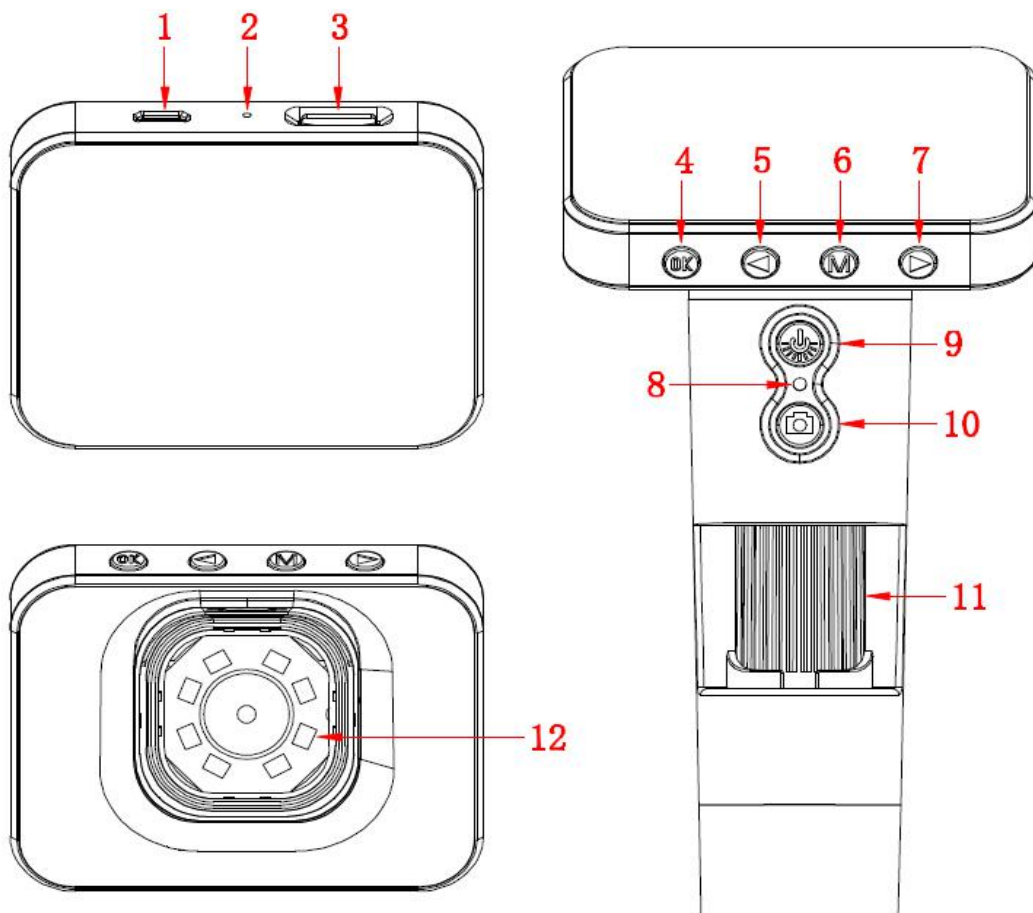


Screen Microscope
Introduction

Version 1.0

1. Components and functions



1.1

Part Number	Features
1	Micro USB port
2	Reset button hole
3	TF card socket
4	Confirm / Store information
5	Digital zoom / left
6	Menu/ return
7	Digital Reduce / right
8	Indicator light
9	(On/off) / The LED lamp brightness adjustment
10	Camera / video
11	Focus adjustment wheel
12	LED lights

The

functions of different parts and instructions



Micro USB charging port:

When the device battery is low, connect the charger to charge the device, in the charging process does not recommend the use of the device (the device will reduce the battery life).

Using a USB connection with the terminal signal line to enter the PC camera mode or a hard disk memory mode.



Reset: Boot mode, with a pointed object into the hole, pressing this key, the device is turned off.



TF card socket: Maximum support 32G.



OK button: The boot mode, long press to enter memory, view photos and video, but also store information exit through long press. After entering the menu, you can press this to confirm the selection member.



Left selection key: When taking pictures, press members can be digitally enlarged. When entering a menu or store information, through this key to switch between different options.

M button: The boot mode, long press this button to bring up or hide the "+". Short press this button to bring up and exit menu.

Right selection button: When taking pictures, press members can digitally zoom out. When entering a menu or store information, through which you can switch between different options.

On/off button: Shutdown state, long press member, the device is turned. The boot state, long press the device off. Equipment is running, press this button, you can adjust the brightness of the LED lights.

Camera button: Normal operation of equipment, through the short press this button to take photos. Long press this button to enter the video, through the short press this button to exit the video.

Focus adjustment wheel: Taking pictures or video, rotate the wheel can adjust the focal length, focusing on filming objects

LED light source: Brightness control buttons can be adjusted to its brightness, the light source with four levels, from dark to bright cycle adjustment, until closing, the darkest by default on startup.

2. Introduction and use interface

Through the long press switch machine is powered.

2.1 Information storage interface.

Long press OK to access memory.



As shown, the storage of information including pictures and video information. By left and right selection keys between different photo and video switching.

2.2 Menu interface

Short press M key to enter the menu interface.



As shown, the M key to exit the menu, the menu there are five interface options.

Video Resolution : Video resolution choices, 720P and VGA options.

Time label: After open the option, take pictures and videos have time.

Loop recording: 1 minute, 3 minutes, 5 minutes, 10minutes, 4 kinds of loop mode selection, when you select one of the modes, through the long press camera button for recording, according to the selected mode continuous loop recording.

Exposure Compensation: The exposure value adjustment.

Photo resolution : Photo resolution of choice, 3M, 2M, 1.3M, VGA 4 formats to choose from.

Delete: Choose to enter the Delete option, skip to the memory interface, select the photos or videos you want to delete, press the M key to enter the menu, and then click Delete, you can delete the selected content. Also choose to delete all.

Auxiliary line : Photographs and video interface " + " is displayed and hidden .

Playback mode: Into the memory, the user may need to view the desired photo or video files.

Format: Formatting memory.

Language: Can choose a different language for display.

Automatic shut-down: Choose a suitable time, make the equipment in unmanned operation, automatic shutdown.

Automatic off-screen: Choose a suitable time, make the equipment in unmanned operation, automatic shutdown off-screen.

Resetting the system: reset.

Frequency: Mains frequency settings, China is 50HZ, abroad is 60HZ.

Time setting: Set the time parameters.

USB function : Through the USB cable to connect the device to the computer, the device model. There are PC camera mode and hard drive storage mode.

Software version: View the current version of the software.

3. About USB Function

3.1 Disk drive mode

In this mode, when connected to the host computer, the device can not perform operations in the PC into the device memory.

3.2 PC Camera Mode

In this mode, when connected to the PC, use the driver software Amcap on the host computer, and it displays the image. Then the switch button device can adjust the brightness of LED lights, but other key are not available. Please visit the following website or scan the QR Code to check the web page and download the right software.

down.unimakes.com

